



Antron Electronics Co.,LTD
安雄電子股份有限公司

Constant Current LED Driver



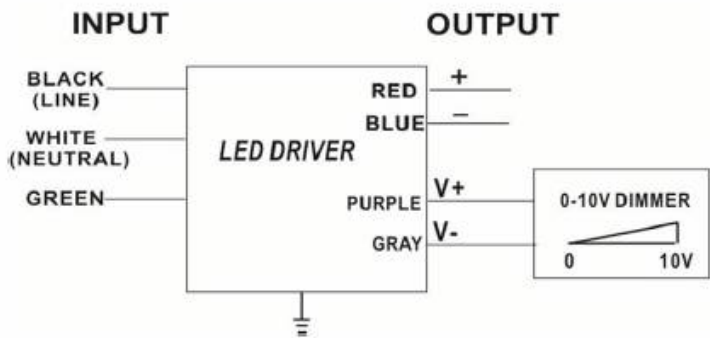
Model Name	AC1400S40D
Output Mode	Constant Current
Input Voltage	120-277 Vac
Input Frequency	50/60 Hz
Dimming	3 in 1 (PWM, 1-10V, Resistance)
Surge Rating	2KV
Warranty	5 Years $TC \leq 75^{\circ}C$ 3 Years $75^{\circ}C \leq TC \leq 90^{\circ}C$

Product Specification



Output Power (W)	Output Voltage (V)	Output Current (A)	Start Temp. (F/C)	Tcase Temp. (F/C)	Input Current (A)	Input Power (W)	THD (%)	Power Factor	Efficiency (%)
Max. 40	18-29	1.4	Min -40/-40	Max. 194/90	0.4@120V 0.18@277V	47	Max. 20	Min. 0.9	Typ. 86

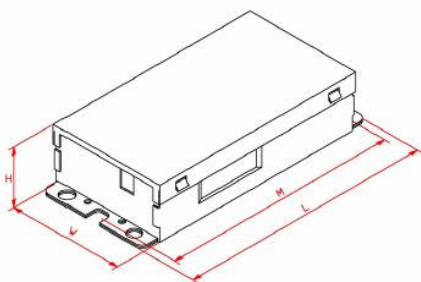
Wire Diagram



Lead Length	Inch	Cm
Black	5.9	15
White	5.9	15
Green	NA	NA
Red	5.9	15
Blue	5.9	15
Purple	7.1	18
Gray	7.1	18

Maximum Wiring Distance(at full load) is 18AWG/18Feet

Enclosure



Enclosure	Inch	Cm
Length(L)	5.23	13.3
Width(W)	2.48	6.3
Height(H)	1.18	3
Mounting(M)	4.84	12.3

Revised 2018/01/11