



Antron Electronics Co.,LTD  
安雄電子股份有限公司

# Constant Current LED Driver



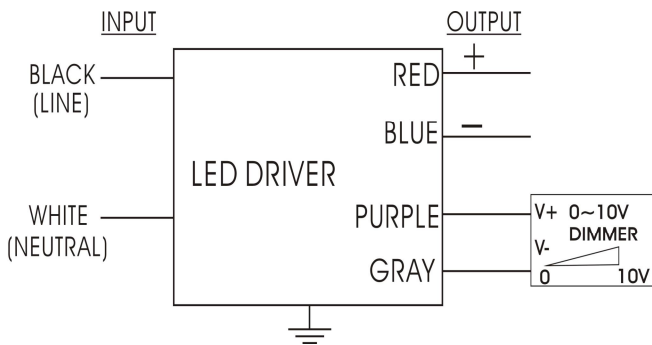
<b>Model Name</b>	<b>AC350S60D</b>
<b>Output Mode</b>	Constant Current
<b>Input Voltage</b>	120-277 Vac
<b>Input Frequency</b>	50/60 Hz
<b>Dimming</b>	3 in 1 (PWM,1-10V, Resistance)
<b>Surge Rating</b>	3 KV
<b>Warranty</b>	5 Years $TC \leq 75^{\circ}C$
	3 Years $75^{\circ}C \leq TC \leq 90^{\circ}C$

## Product Specification



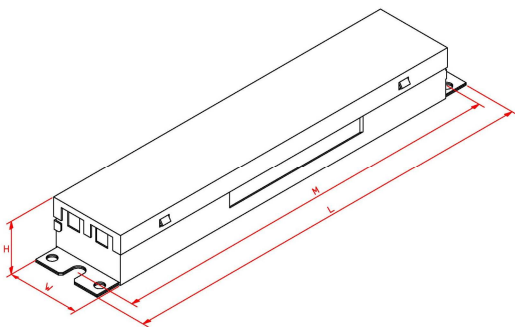
Output Power (W)	Output Voltage (V)	Output Current (A)	Start Temp. (°F/°C)	Tcase Temp. (°F/°C)	Input Current (A)	Input Power (W)	Inrush Current (A)	THD (%)	Power Factor	Efficiency (%)
60	103-171	0.35	Min -40/-40	Max. 194/90	0.61@120V 0.26@277V	68	Max. 30@277V	Max. 20	Min. 0.9	Typ. 88

## Wire Diagram



Maximum Wiring Distance (at full load) is 18AWG/18Feet

## Enclosure



Lead Length	Inch	Cm
Black	5.9	15
White	5.9	15
Green	NA	NA
Red	5.9	15
Blue	5.9	15
Purple	7.1	18
Gray	7.1	18

Enclosure	Inch	Cm
Length(L)	9.5	24.1
Width(W)	1.7	4.3
Height(H)	1.14	2.9
Mounting(M)	8.9	22.6

Revised 2018/08/01