



Antron Electronics Co.,LTD
安雄電子股份有限公司

Constant Current LED Driver



Model Name	AC700S12M
Output Mode	Constant Current
Input Voltage	120-277V Vac
Input Frequency	50/60 Hz
Dimming	NA
Surge Rating	2KV
Warranty	5 Years $TC \leq 75^{\circ}C$ 3 Years $75^{\circ}C \leq TC \leq 90^{\circ}C$

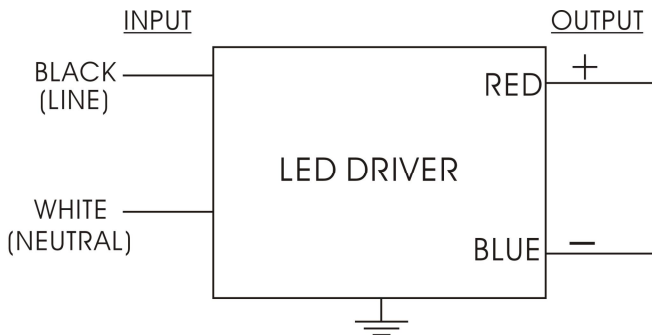
Product Specification



IP65

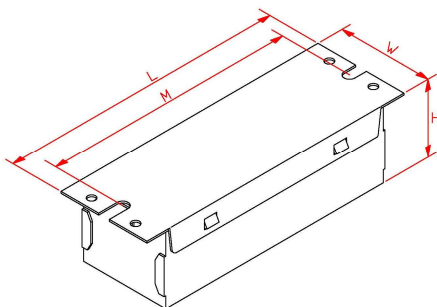
Output Power (W)	Output Voltage (V)	Output Current (A)	Start Temp. (F/C)	Tcase Temp. (F/C)	Input Current (A)	Input Power (W)	THD (%)	Power Factor	Efficiency (%)
Max. 12	11-17	0.7	Min -40/-40	Max. 194/90	0.15@120V 0.06@277V	15.5	Max. 25	Min. 0.9	Typ. 84

Wire Diagram



Maximum Wiring Distance(at full load) is 18AWG/18Feet

Enclosure



Lead Length	Inch	Cm
Black	5.9	15
White	5.9	15
Green	NA	NA
Red	5.9	15
Blue	5.9	15
Purple	NA	NA
Gray	NA	NA

Enclosure	Inch	Cm
Length(L)	4.21	10.7
Width(W)	1.41	3.6
Height(H)	1.14	2.9
Mounting(M)	3.9	9.9

Revised 2018/06/13