



Antron Electronics Co.,LTD  
安雄電子股份有限公司

# Constant Current LED Driver



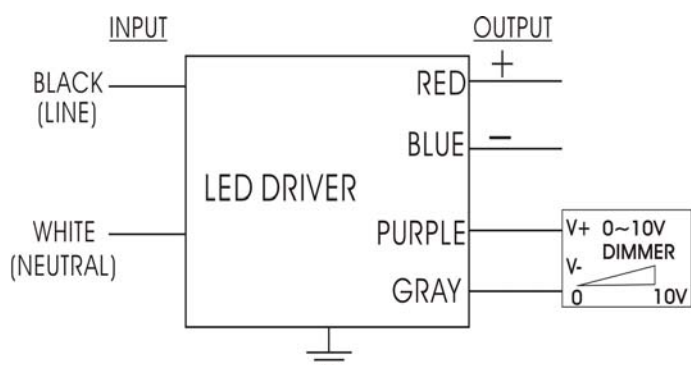
|                        |   |
|------------------------|---|
| <b>Model Name</b>      | AC700S42D   |
| <b>Output Mode</b>     | Constant Current  |
| <b>Input Voltage</b>   | 120-277 Vac   |
| <b>Input Frequency</b> | 50/60 Hz  |
| <b>Dimming</b>         | 3 in 1 (PWM, 1-10V, Resistance)   |
| <b>Surge Rating</b>    | 3KV   |
| <b>Warranty</b>        | 5 Years $TC \leq 75^{\circ}C$<br>3 Years $75^{\circ}C \leq TC \leq 90^{\circ}C$ |

## Product Specification



| Output Power (W) | Output Voltage (V) | Output Current (A) | Start Temp. (F/C) | Tcase Temp. (F/C) | Input Current (A)      | Input Power (W) | THD (%) | Power Factor | Efficiency (%) |
|------------------|--------------------|--------------------|-------------------|-------------------|------------------------|-----------------|---------|--------------|----------------|
| Max. 42          | 35-60              | 0.7                | Min -40/-40       | Max. 194/90       | 0.44@120V<br>0.19@277V | 49              | Max. 20 | Min. 0.9     | Typ. 86        |

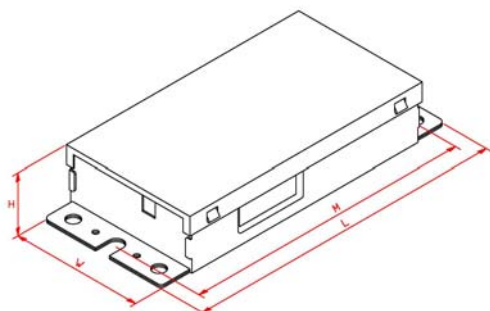
## Wire Diagram



| Lead Length | Inch | Cm |
|-------------|------|----|
| Black       | 5.9  | 15 |
| White       | 5.9  | 15 |
| Green       | NA   | NA |
| Red         | 5.9  | 15 |
| Blue        | 5.9  | 15 |
| Purple      | 7.1  | 18 |
| Gray        | 7.1  | 18 |

Maximum Wiring Distance(at full load) is 18AWG/18Feet

## Enclosure



| Enclosure   | Inch | Cm   |
|-------------|------|------|
| Length(L)   | 5.23 | 13.3 |
| Width(W)    | 2.48 | 6.3  |
| Height(H)   | 1.18 | 3    |
| Mounting(M) | 4.84 | 12.3 |

Revised 2018/09/05