



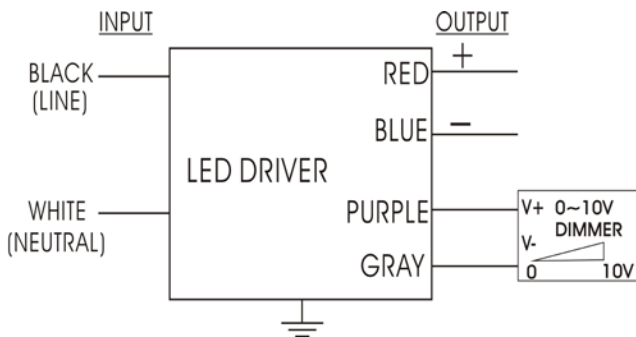
ANTRON ELECTRONICS CO. LTD.

AC2000S110D	
Brand Name	ANTRON
Driver Type	Electronic
Output Model	Constant Current
Input Voltage	120-277Vac
Input Frequency	50/60Hz
Status	Active

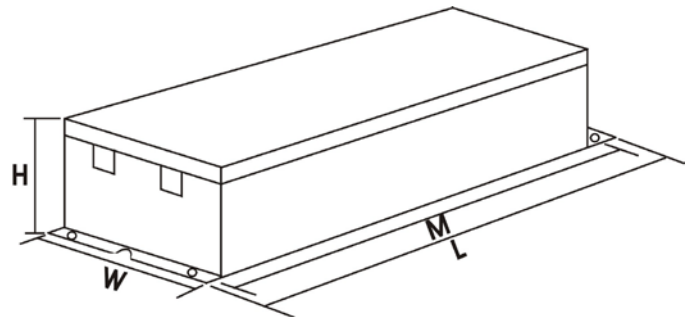
Electrical Specifications

Output Power Max. (W)	Output Voltage (V)	Output Current (A)	Min. Start Temp. (°F/°C)	Tease Temp. Max. (°F/°C)	Input Current (A)	Input Power (W)	THD Max. (%)	Power Factor Min.	Typical Efficiency (%)
110	33-55	2.0	-40/-40	194/90	1.2@120V 0.52@277V	125	20	0.95	88

Wiring Diagram



Enclosure



	in.	cm.		in.	cm.
Black	5.9	15	Yellow/Blue		
White	5.9	15	Blue/White		
Blue	5.9	15	Brown		
Red	5.9	15	Orange		
Yellow			Orange/Black		
Gray	5.9	15	Purple	5.9	15

Over All(L)	Width(W)	Height(H)	Mounting(M)
24.1cm	6.1cm	3.7cm	22.6cm
9.5"	2.4"	1.46"	8.9"

Maximum Wiring Distance(at full load) is 18AWG/18Feet



Revised 2014/06/27

Data is based upon tests performed by Antron Electronics in a controlled environment and representative performance. Actual performance can vary depending on operating conditions. Specifications are subject to change without notice. All specifications are nominal unless otherwise noted

ANTRON ELECTRONICS CO., LTD

NO.17-14 LAI-KAN LIAW HI-CHIEN LI CHIALI DIST TAINAN CITY TAIWAN R.O.C

TEL:(886)-6-7263906-7

FAX:(886)-67263908

<http://www.antron.com.tw>

E-mail:sales@antron.com.tw;sales1@antron.com.tw;sales2@antron.com.tw