



IP67



## IDU100AA-100

Type	Fixed single channel
Power	100W
Input Voltage	90-305Vac
Output Current Available From	100mA-1050mA
Output Voltage	66-100Vdc
Dimming	0-10V

## Electrical Specifications

Model:		IDU100AA-100
<b>Output</b>	Max Output Power	105W
	Output Voltage	66-100Vdc
	Open load Voltage	125Vdc
	Output Current Available From	100mA-1050mA
	Output Current Deviation	±5% Max
	Ripple & Noise Pk-Pk	150mA
	Eff.@ 230Vac & 100%load	92%
	Eff.@ 277Vac & 100%load	92%
	Dimming	0-10V(10%-100%)
<b>Input</b>	AC Current Max	1.3A Max. @100Vac
	Rated Input Voltage Range	100-277Vac
	Input Voltage Range	90-305Vac
	Frequency Range	50/60Hz
	Power Factor(PF)	PF>0.95 (Vin 230Vac)
	Power Factor(PF)	PF> 0.9 (Vin 277Vac)
	Inrush Current Max	65A @230Vac Ta=25°C
	Leakage Current	<0.75mA @ 277Vac
<b>Protection</b>	Short Circuit Protection (SCP)	In the event of a short circuit condition, there will be no damage to the driver, then automatic self-recovery will be activated.
	Surge Protection	Line to Line: 4KV, Line to Earth: 6KV
	Over Temperature Protection	When the Internal PCB temp reaches 105°C (±5°C), to avoid any damage to the driver, its output will be turned off. After the temperature drops below 105°C, automatic self-recovery mode will be activated.
<b>Environment</b>	Ambient Temperature	Ta :-40~+70°C; Tc (max): ≦ 90°C
	Operating Humidity	20~90% RH
	Storage Temperature & Humidity	-40~+80°C, 10~95% RH
	Environment Protection Rating	UL Dry, Damp or Wet Location, IP67
	Vibration	10~500Hz 5G 12Min/Cycle, X,Y,Z axis per 72 minute
<b>Safety &amp;</b>	Safety Standards	IEC/EN61347-1(GB19510-1-2009), IEC/EN61347-2-13(GB 19510.14-2009),

*Bringing life to lighting*



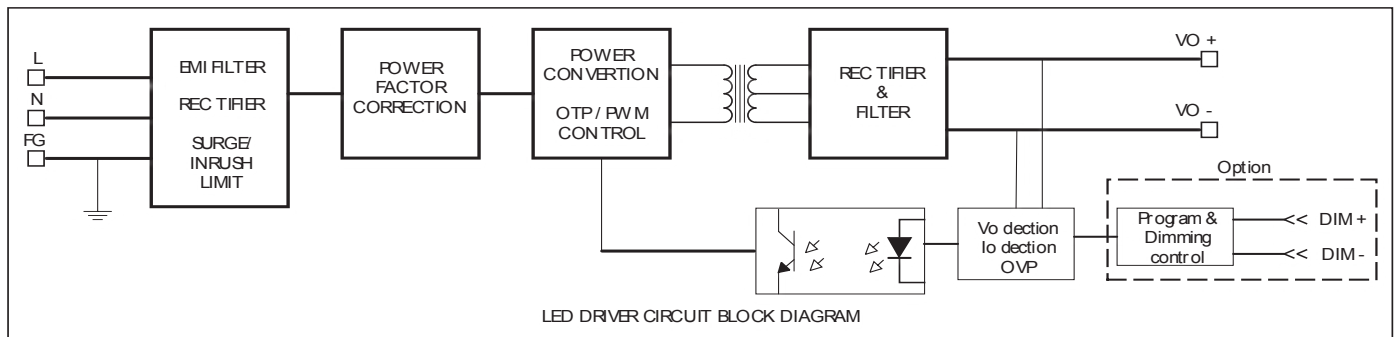
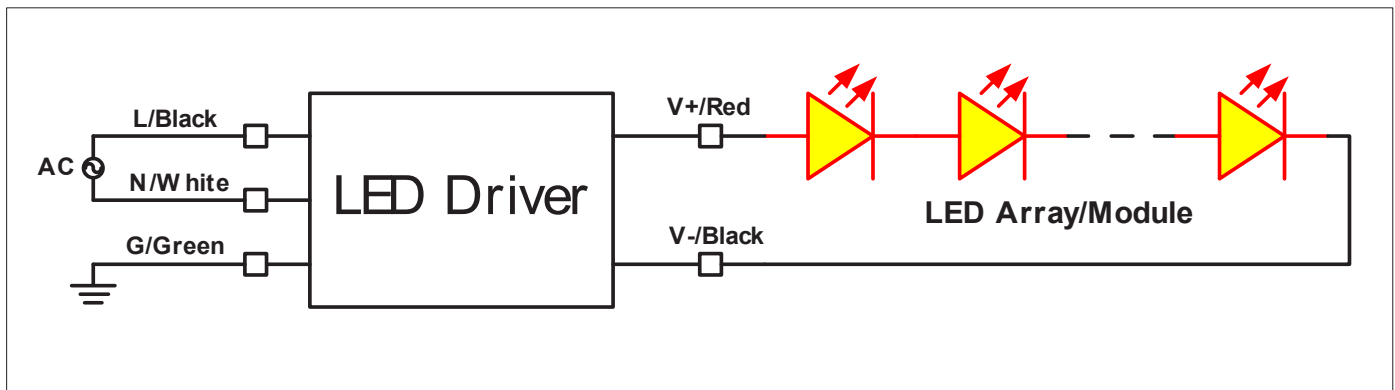
IP67 

## IDU100AA-100

Type	Fixed single channel
Power	100W
Input Voltage	90-305Vac
Output Current Available From	100mA-1050mA
Output Voltage	66-100Vdc
Dimming	0-10V

<b>EMC</b>		UL8750, CSA C22.2 NO. 250.13-12
	Withstand Voltage	I/P-O/P:3.75KVac, I/P-FG:1.5KVac,O/P-FG:0.5KVac
	Insulation Resistance	I/P-O/P, >100M Ohms/500VDC/25°C/70%RH
	EMI	EN55015, FCC PART15-CLASSB
	Harmonic Current	EN61000-3-2 Class C
	EMS	EN61000-4-2,3,4,5,6,8,11;ENV50204,EN61547,EN55024
<b>Others</b>	Dimensions	245*75*38mm (L*W*H), 9.65*2.95*1.50in (L*W*H)
	Weight	750g,1.66lbs

## Wiring Diagram



*Bringing life to lighting*

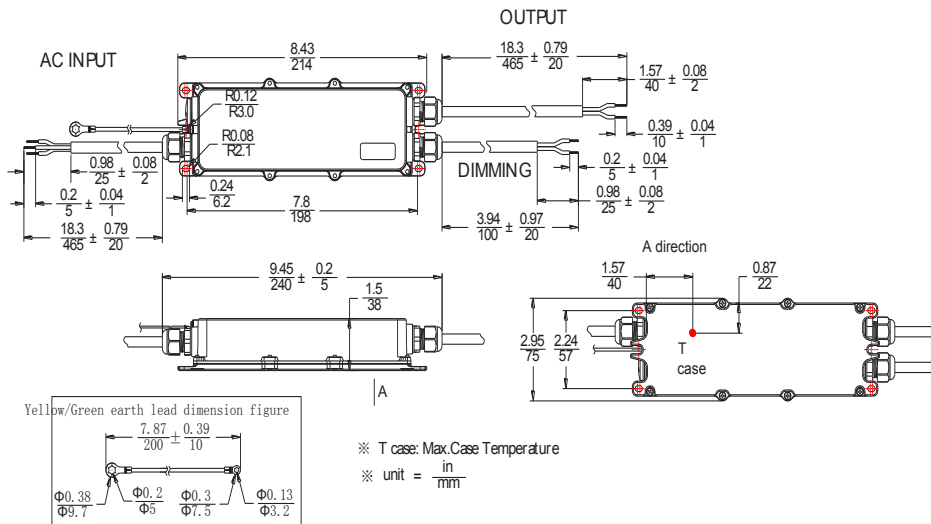


IP67



<b>IDU100AA-100</b>	
Type	Fixed single channel
Power	100W
Input Voltage	90-305Vac
Output Current Available From	100mA-1050mA
Output Voltage	66-100Vdc
Dimming	0-10V

## Enclosure



## Installation & Application Notes

### Section I – Physical Characteristics

- 1.1 LED Driver shall be installed inside an electrical enclosure.
- 1.2 Wiring inside electrical enclosure shall comply with 600V/105°C rating or higher.
- 1.3 Input and output use lead-wires. Lead-wires are UL SJTW Cable 18AWG 105C/600V solid copper.
- 1.4 Special water proof should be used on the input/output cable, this product is non-potting, water maybe suck in the product.

### Section II – Performance

- 2.1 LED Driver has a minimum operating ambient temperature of -40°C.
- 2.2 LED Driver is certified by UL for use in a dry, damp or wet location.
- 2.3 LED Driver tolerates sustained open circuit and short circuit output conditions without damage.
- 2.4 LED Driver maximum allowable case temperature is 90°C .
- 2.5 LED Driver reduces output power to LEDs if maximum allowable case temperature is exceeded.

### Section III –Cautions

*Bringing life to lighting*



IP67

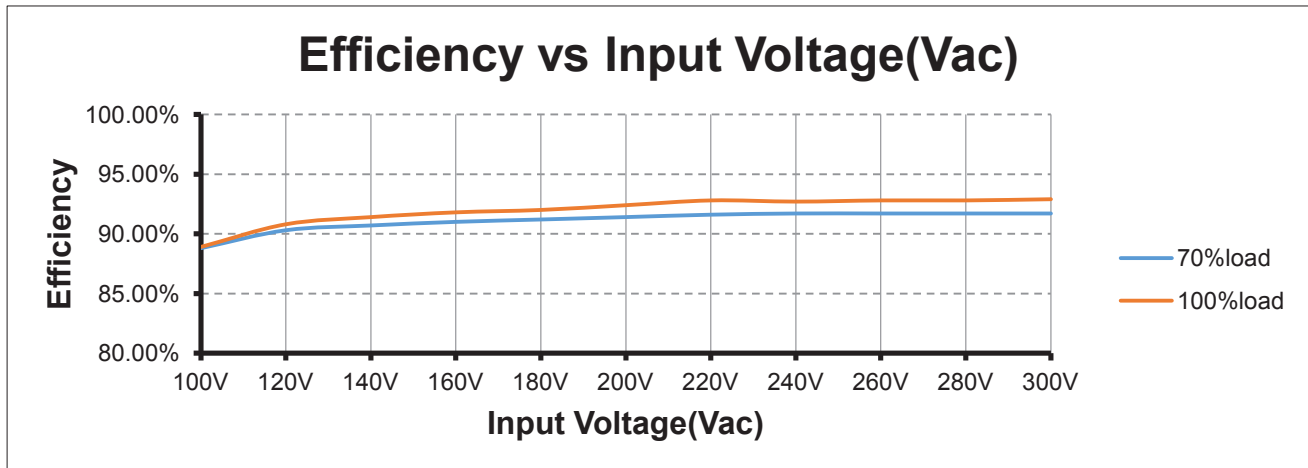


## IDU100AA-100

Type	Fixed single channel
Power	100W
Input Voltage	90-305Vac
Output Current Available From	100mA-1050mA
Output Voltage	66-100Vdc
Dimming	0-10V

- 3.1 LED Driver should be kept away from heat source and flammable and explosive substances.
- 3.2 LED Driver Should be installed in a ventilated and good heat dissipation space.
- 3.3 High Voltage! Do not open the case without experience.
- 3.4 Make sure I/P, O/P wire joints completely watertight, to prevent electric shock & leakage of electricity.

## Efficiency





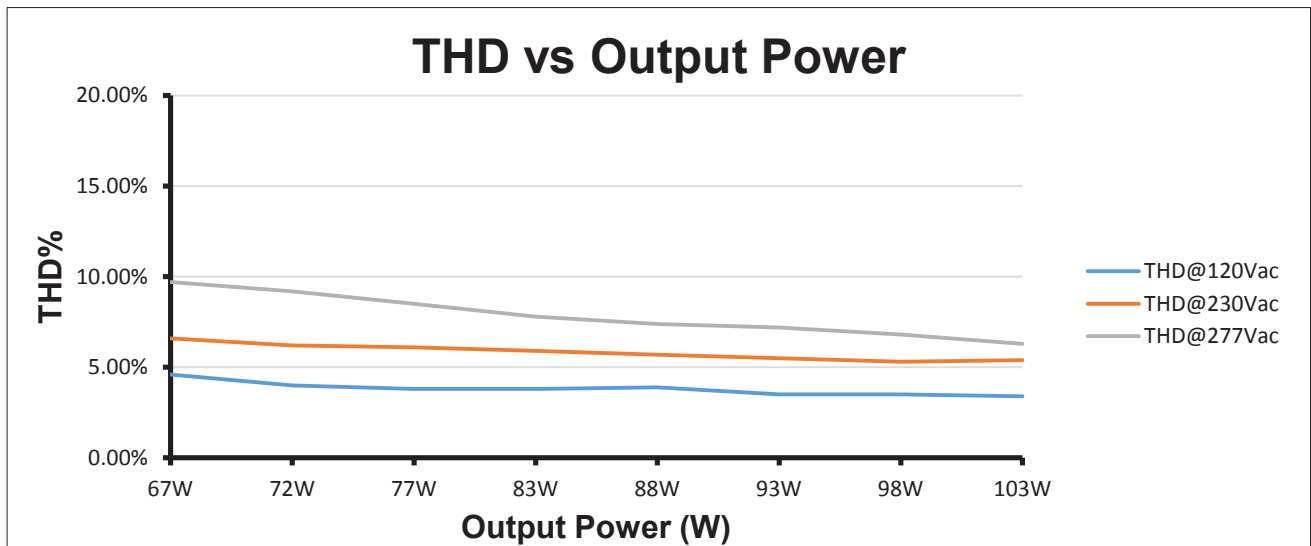
IP67



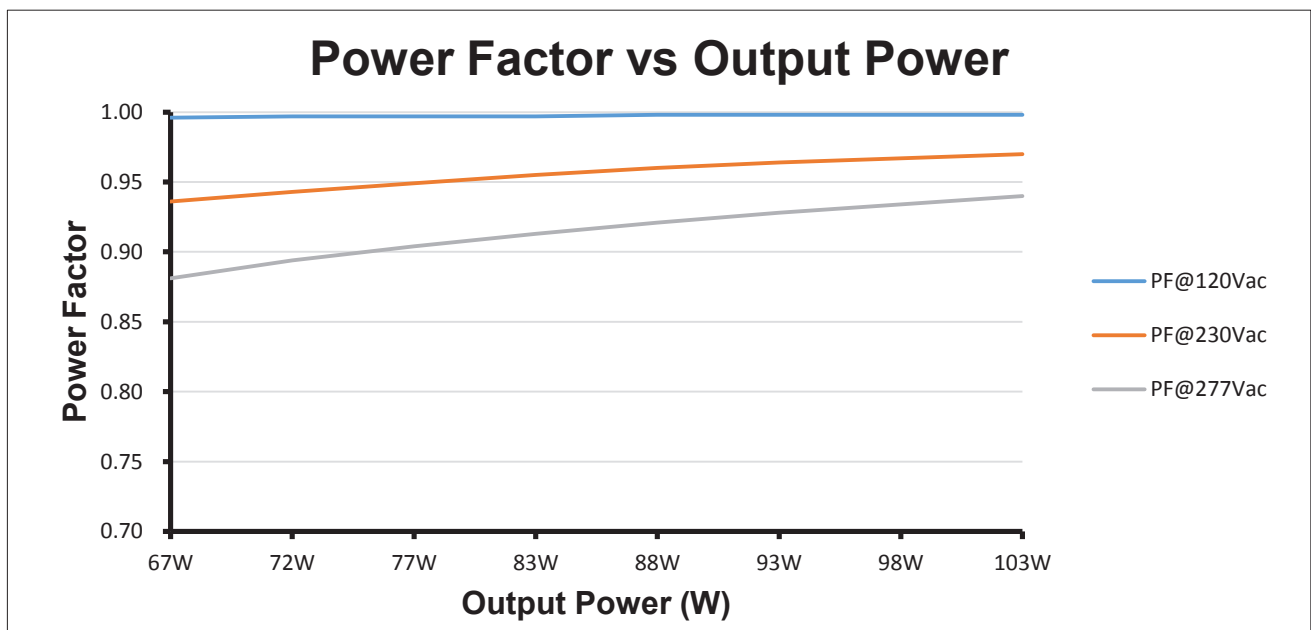
## IDU100AA-100

Type	Fixed single channel
Power	100W
Input Voltage	90-305Vac
Output Current Available From	100mA-1050mA
Output Voltage	66-100Vdc
Dimming	0-10V

### THD



### Power Factor



*Bringing life to lighting*



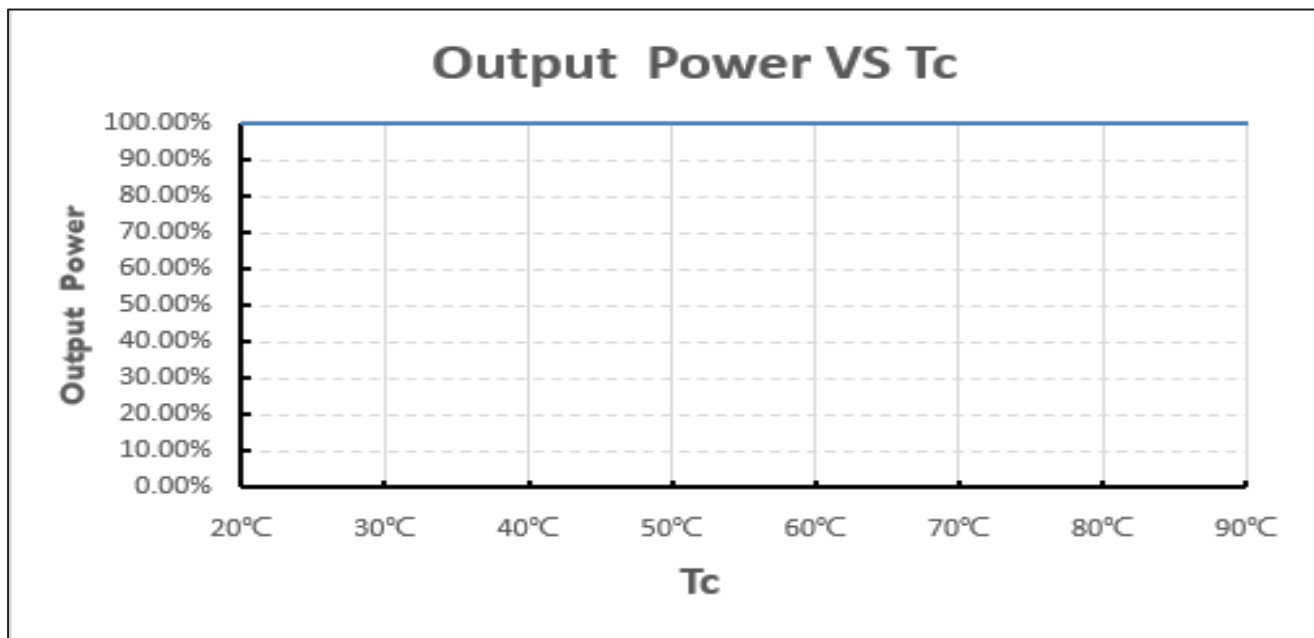
IP67



## IDU100AA-100

Type	Fixed single channel
Power	100W
Input Voltage	90-305Vac
Output Current Available From	100mA-1050mA
Output Voltage	66-100Vdc
Dimming	0-10V

### Output Power Derating (120V & 230V AC Input)





IP67

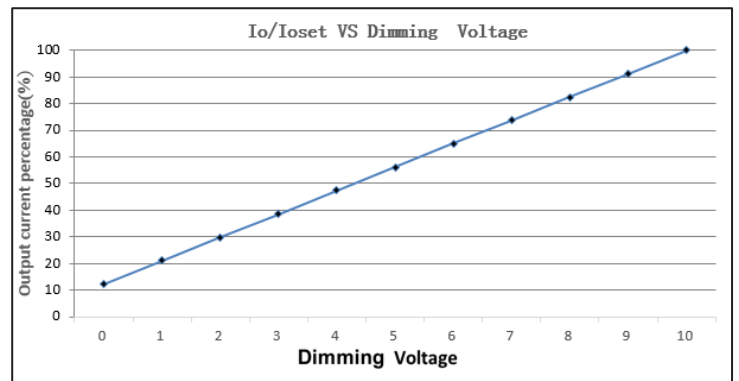
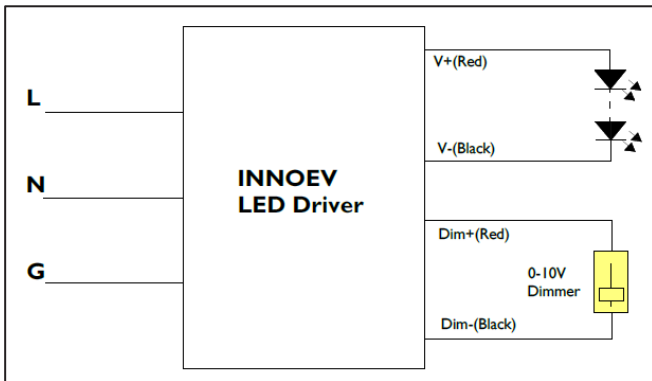


## IDU100AA-100

Type	Fixed single channel
Power	100W
Input Voltage	90-305Vac
Output Current Available From	100mA-1050mA
Output Voltage	66-100Vdc
Dimming	0-10V

## 0-10V Dimming Application (Optional Function)

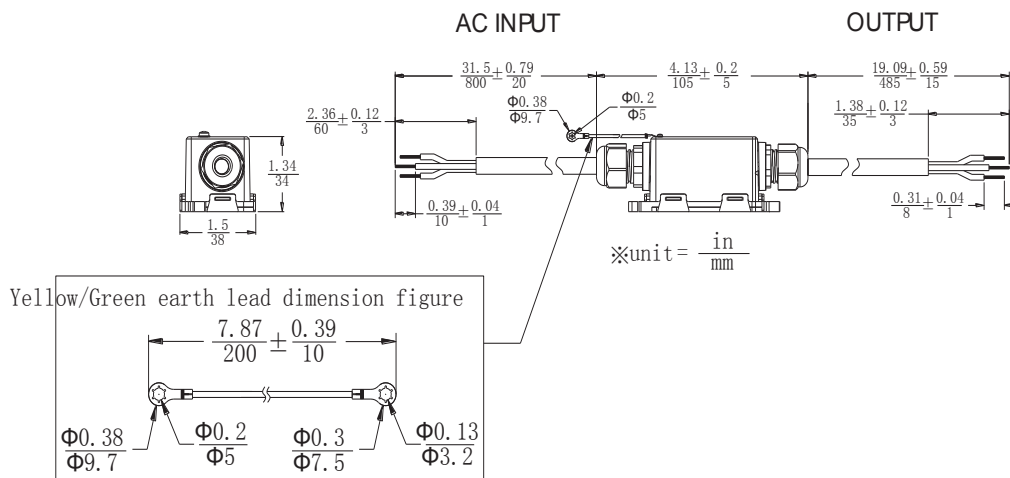
### 0-10V Dimming



Notes:

1. If the output current is less than 0.1A, the 0.1A is the starting point
2. Do not connect Dim- to the output V- or V+, otherwise the driver will not work properly.
3. If 0-10V dimming is not used, Dim+ should be open.

## Optional Accessories (External Surge Protector)



*Bringing life to lighting*



IP67



## IDU100AA-100

Type	Fixed single channel
Power	100W
Input Voltage	90-305Vac
Output Current Available From	100mA-1050mA
Output Voltage	66-100Vdc
Dimming	0-10V

**Notes:**

1. Part Number: SPDS04-240PC; 2. Suitable for INNOEV's LED Driver only; 3. 277Vac Max, Surge protection rating : Line to line 10KV, line to Earth 10KV;4. Limited to strengthen LED Driver Surge protection 5. Waterproof design, Suitable for outdoor and wet location.

### Revision History

DATE	REV	Modification	Reasons for change	Notes	
2016/5/25	P1	Release			
Prepared By	Caihong Wu	Checked By	HB.Jiang	Approved By	File Number
Date	2016/5/25	Date	2016/5/25	Date	

Application and operation performance specification information subject to change without notification.