



IP67



IDU220AA-330

Type	Fixed single channel
Power	225W
Input Voltage	90-305VAC
Output Current	60mA-600mA
Output Voltage	220-315VDC
Dimming	0-10V

Electrical Specifications

Model:		IDU220AA-330
Output	Max Output Power	225W
	Output Voltage	220-315Vdc
	Open load Voltage	330Vdc
	Output Current Available From	60mA-600mA
	Output Current Deviation	±5% Max
	Ripple & Noise Pk-Pk	90mA
	Eff.@ 230Vac & 100%load	93%
	Eff.@ 277Vac & 100%load	93%
	Dimming	0-10V(10%-100%)
Input	AC Current Max	2.8A Max. @100Vac
	Rated Input Voltage Range	100-277Vac
	Input Voltage Range	90-305Vac
	Frequency Range	50/60Hz
	Power Factor(PF)	PF>0.96 (Vin 230Vac)
	Power Factor(PF)	PF>0.94 (Vin 277Vac)
	Inrush Current Max	65A @230Vac Ta=25°C
	Leakage Current	<0.75mA @ 277Vac
Protection	Short Circuit Protection (SCP)	In the event of a short circuit condition, there will be no damage to the driver, then automatic self-recovery will be activated.
	Surge Protection	Line to Line: 4KV, Line to Earth: 6KV
	Over Temperature Protection	When the Internal PCB temp reaches 105°C (±5°C), to avoid any damage to the driver, its output will be turned off. After the temperature drops below 105°C, automatic self-recovery mode will be activated.
Environment	Ambient Temperature	Ta :-40~+70°C (Full load); Tc (max): ≦ 90°C
	Operating Humidity	20~90% RH
	Storage Temperature & Humidity	-40~+80°C, 10~95% RH
	Environment Protection Rating	UL Dry, Damp or Wet Location, IP67
	Vibration	10~500Hz 5G 12 Min/Cycle, X,Y,Z axis per 72 minute
Safety & EMC	Safety Standards	IEC/EN61347-1 (GB19510-1-2009), IEC/EN61347-2-13 (GB 19510.14-2009), UL8750, CSA C22.2 NO. 250.13-12
	Withstand Voltage	I/P-O/P: 3.75KVac, I/P-FG: 1.5KVac, O/P-FG: 0.5KVac
	Insulation Resistance	I/P-O/P, >100M Ohms/500VDC/25°C/70%RH



IP67

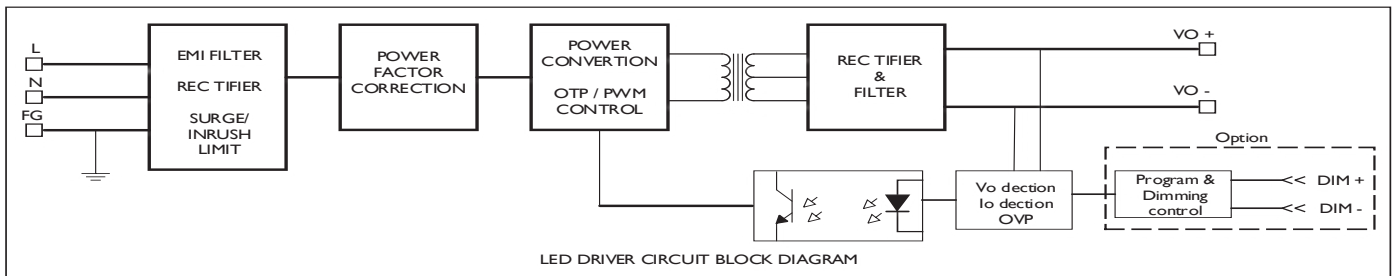
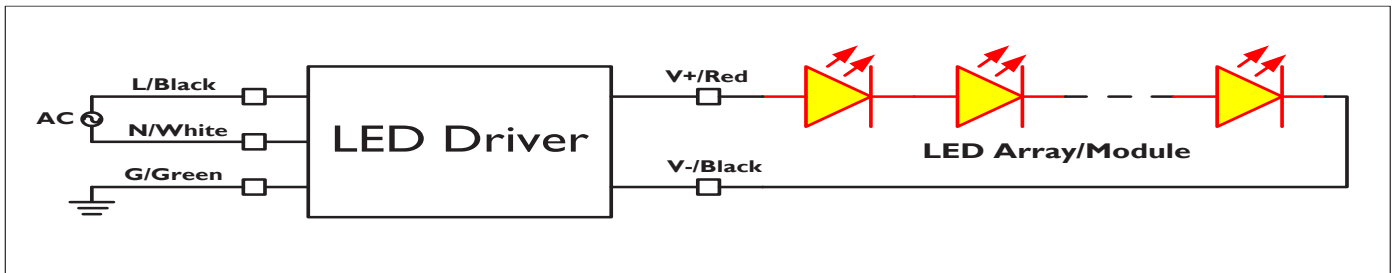


IDU220AA-330

Type	Fixed single channel
Power	225W
Input Voltage	90-305VAC
Output Current	60mA-600mA
Output Voltage	220-315VDC
Dimming	0-10V

	EMI	EN55015, FCC PART15-CLASSB
	Harmonic Current	EN61000-3-2 Class C(≥50% Max load)
	EMS	EN61000-4-2,3,4,5,6,8,11; ENV50204, EN61547, EN55024 Industry standard
Others	Dimensions	245*90*45mm (L*W*H), 9.65*3.54*1.77in (L*W*H)
	Weight	910g, 2.01lbs

Wiring Diagram





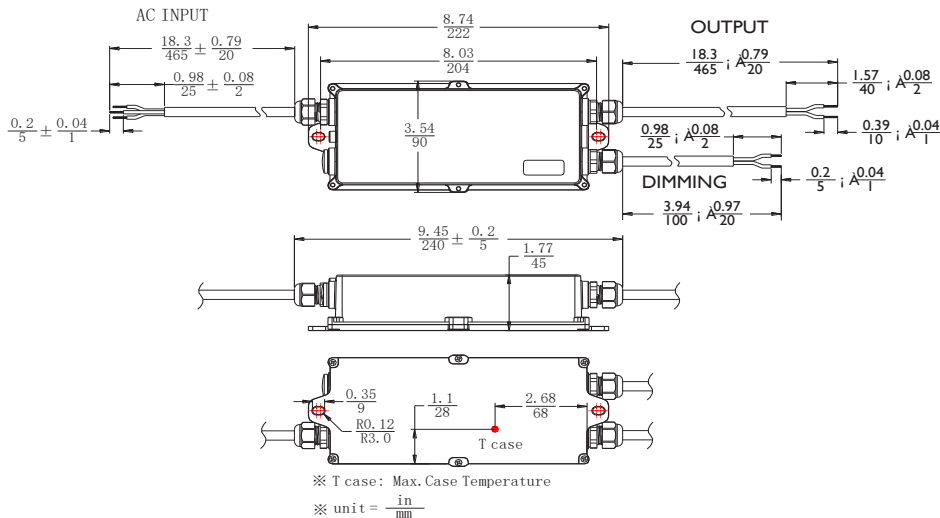
IP67



IDU220AA-330

Type	Fixed single channel
Power	225W
Input Voltage	90-305VAC
Output Current	60mA-600mA
Output Voltage	220-315VDC
Dimming	0-10V

Enclosure



Installation & Application Notes

Section I – Physical Characteristics

- 1.1 LED Driver shall be installed inside an electrical enclosure.
- 1.2 Wiring inside electrical enclosure shall comply with 600V/105°C rating or higher.
- 1.3 Input and output use lead-wires. Lead-wires are UL SJTW Cable 18AWG 105C/600V solid copper.

Section II – Performance

- 2.1 LED Driver has a minimum operating ambient temperature of -40°C.
- 2.2 LED Driver has a life expectancy of 50,000 hours at Tcase of $\leq 85^\circ\text{C}$.
- 2.3 LED Driver has a life expectancy of 100,000 hours at Tcase of $\leq 75^\circ\text{C}$.
- 2.4 LED Driver is certified by UL for use in a dry, damp or wet location.
- 2.5 LED Driver tolerates sustained open circuit and short circuit output conditions without damage.
- 2.6 LED Driver maximum allowable case temperature is 90°C .
- 2.7 LED Driver reduces output power to LEDs if maximum allowable case temperature is exceeded.

Section III –Cautions

- 3.1 LED Driver should be kept away from heat source and flammable and explosive substances.
- 3.2 LED Driver Should be installed in a ventilated and good heat dissipation space.
- 3.3 High Voltage! Do not open the case without experience.
- 3.4 Make sure I/P, O/P wire joints completely watertight, to prevent electric shock & leakage of electricity.



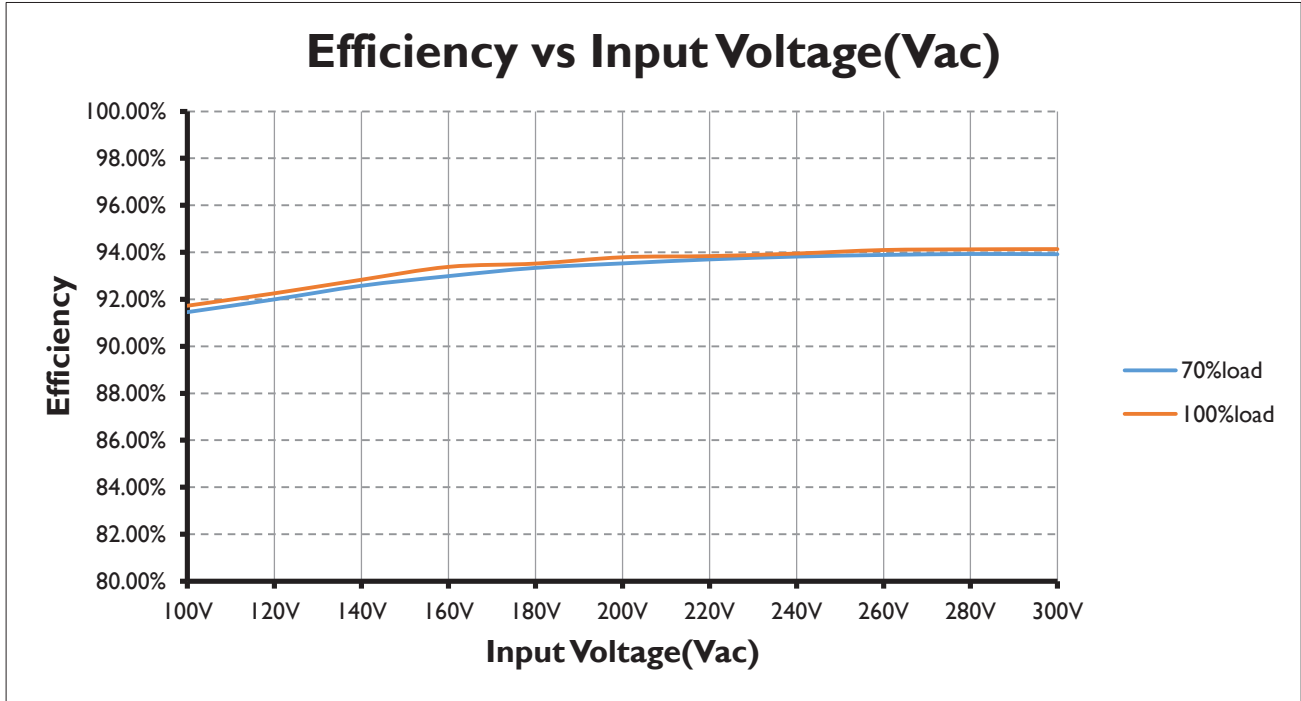
IP67



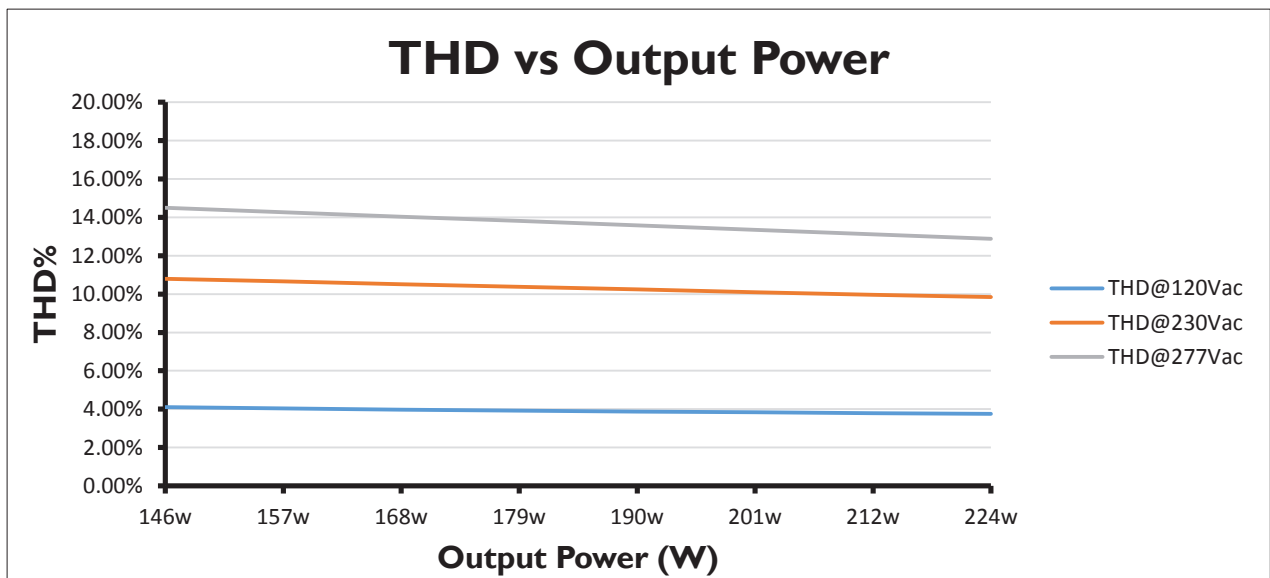
IDU220AA-330

Type	Fixed single channel
Power	225W
Input Voltage	90-305VAC
Output Current	60mA-600mA
Output Voltage	220-315VDC
Dimming	0-10V

Efficiency



THD





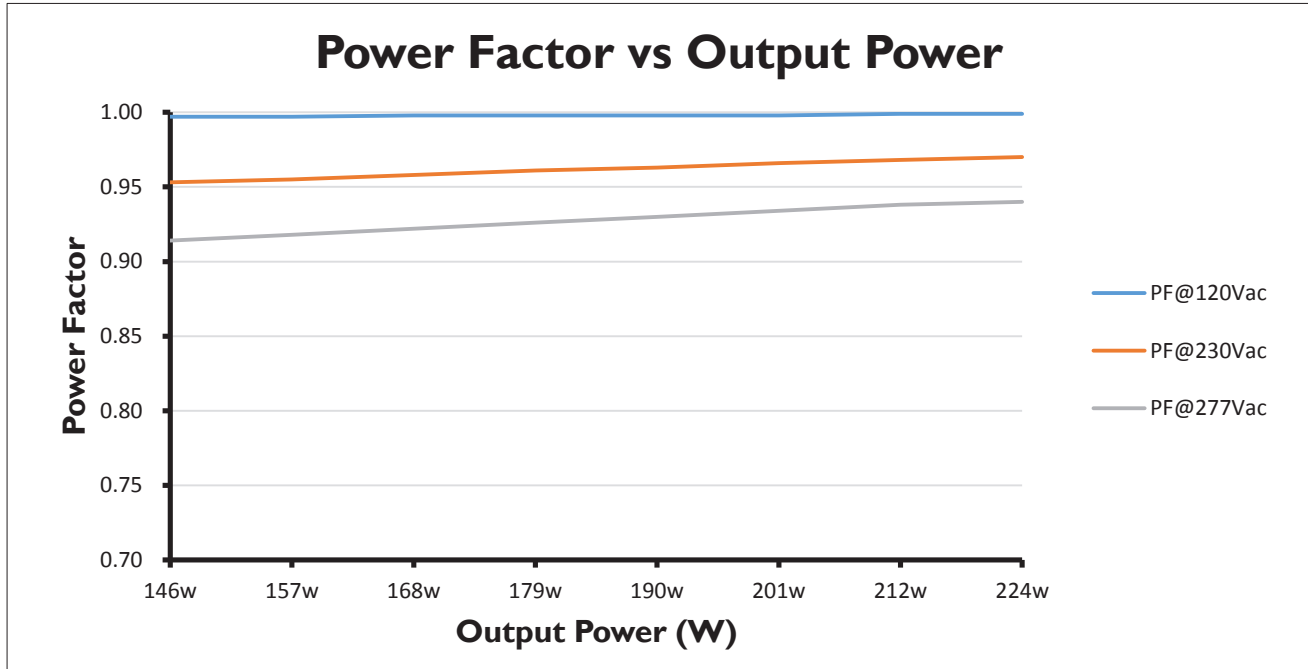
IP67



IDU220AA-330

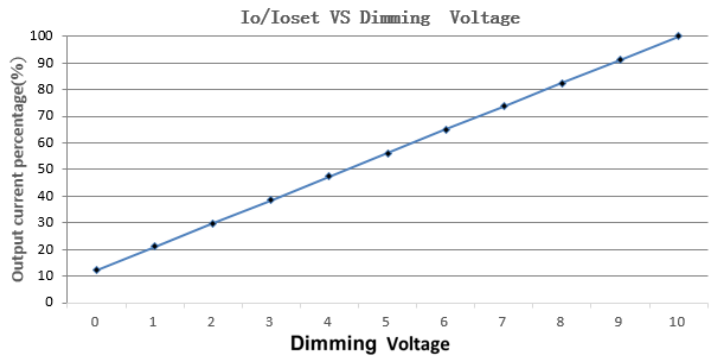
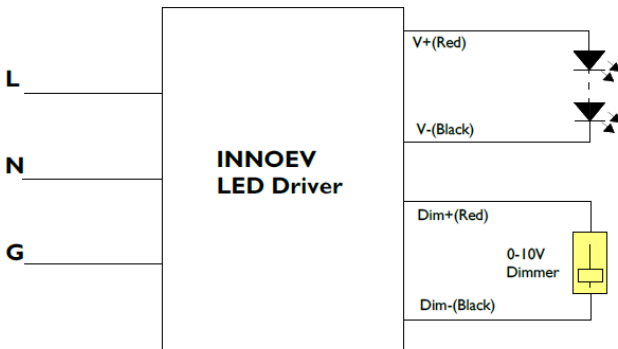
Type	Fixed single channel
Power	225W
Input Voltage	90-305VAC
Output Current	60mA-600mA
Output Voltage	220-315VDC
Dimming	0-10V

Power Factor



0-10V Dimming Application (Optional Function)

0-10V Dimming



Notes:

1. If the output current is less than 0.1A, the 0.1A is the starting point
2. Do not connect Dim- to the output V- or V+, otherwise the driver will not work property.
3. If 0-10V dimming is not used, Dim+ should be open.



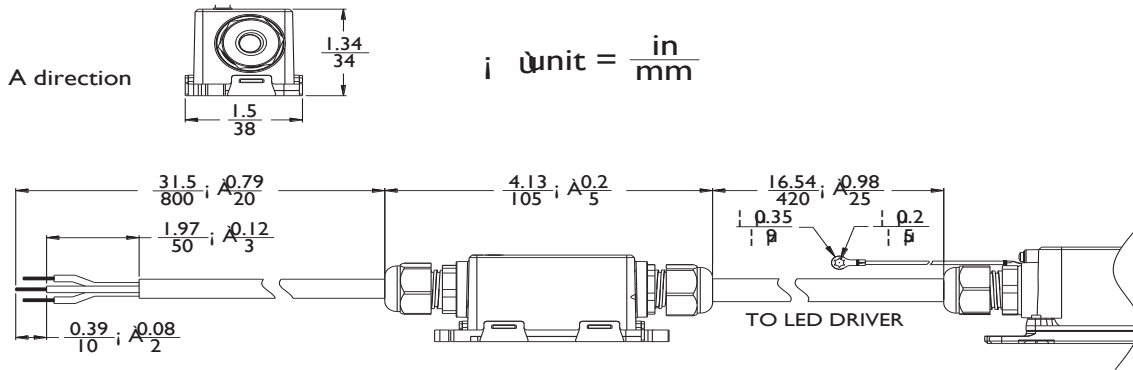
IP67



IDU220AA-330

Type	Fixed single channel
Power	225W
Input Voltage	90-305VAC
Output Current	60mA-600mA
Output Voltage	220-315VDC
Dimming	0-10V

Optional Accessories (External Surge Protector)



- Notes:
1. Part Number: SPDS04-240PC;
 2. Suitable for INNOEV's LED Driver only;
 3. 277Vac Max, Surge protection rating : Line to line 10KV, line to Earth 10KV;
 4. Limited to strengthen LED Driver Surge protection
 5. Waterproof design, Suitable for outdoor and wet location.

Revision History

DATE	REV	Modification	Reasons for change	Notes
2016/5/26	1.0	Release		
Prepared By	宋恒辉	Checked By	Approved By	File Number
Date	2016/5/26	Date	Date	

Application and operation performance specification information subject to change without notification.