



## VDUI80AN-024

Output Type	Constant Voltage
Description	180W 24V 7.5A
Input Voltage	100-277Vac
Input Frequency	50/60Hz
RoHS	Yes

## Electrical Specifications

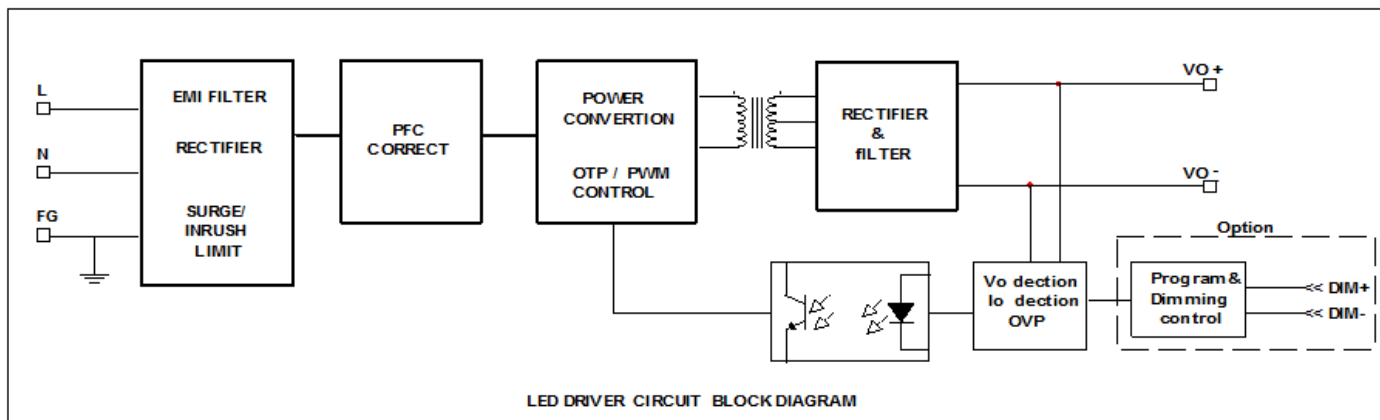
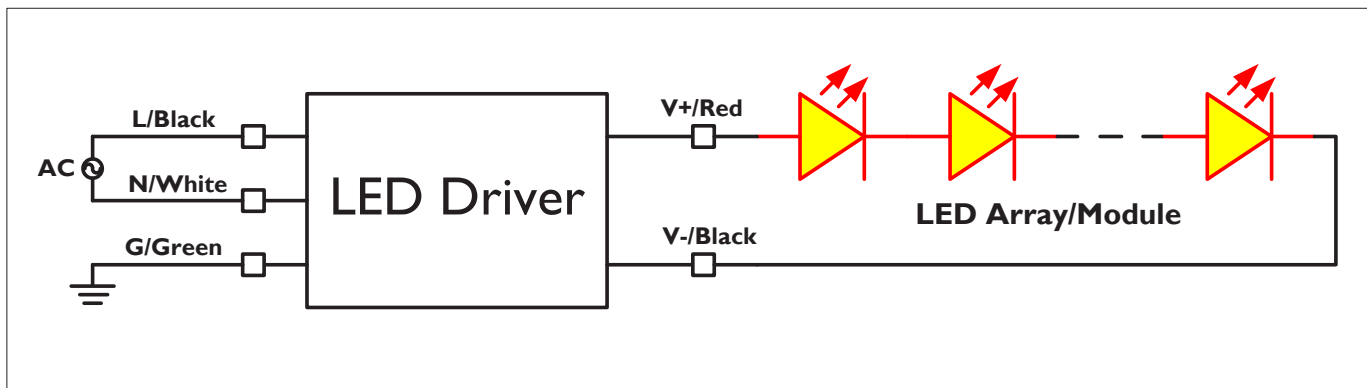
Model:		VDUI80AN-024
<b>Output</b>	Output Power	180W
	Output Voltage	24V
	Output Current	7.5A Max.
	Ripple & Noise Pk-Pk	200mV
	Eff.@(230Vac) & Po_max	>93%
<b>Input</b>	AC Current Max	2.4A Max. @100Vac
	Rated Input Voltage Range	100-240V/277Vac (277Vac for North America)
	Limited Input Voltage	90-305Vac
	Frequency Range	50/60Hz
	Power Factor(PF)	PF>0.95 (Vin 230Vac)
	Inrush Current Max	60A @230Vac Ta=25°C
	Leakage Current	<0.75mA @ 277Vac
<b>Protection</b>	Short Circuit	No damage, some time the driver need to be turned on again for recovery when the fault condition is removed.
	Surge Protection (KV)	4.0
	Over Temperature	Internal PCB:105°C±5°C,Auto recovery after fault removed
<b>Environment</b>	Ambient Temperature	Ta :-40~+60°C (Full load); Tc (max):≦ 90°C
	Operating Humidity	20~90% RH
	Storage Temperature & Humidity	-40~+80°C, 10~95% RH
	Environment Protection Rating	UL Dry, Damp or Wet Location
	Vibration	10~500Hz 5G 12Min/Cycle, X,Y,Z axis per 72 minute
<b>Safety &amp; EMC</b>	Safety Standards	IEC/EN61347-1(GB19510-1-2009), IEC/EN61347-2-13(GB 19510.14-2009), UL8750, CSA C22.2 NO. 250.13-12
	Withstand Voltage	I/P-O/P:3.75KVac, I/P-FG:1.5KVac,O/P-FG:0.5KVac
	Insulation Resistance	I/P-O/P,>100M Ohms/500VDC/25°C/70%RH
	EMI	EN55015,EN55022(CISPR22) Class B , FCC PART15-CLASSB
	Harmonic Current	EN61000-3-2 Class C(≥50% Max load)
	EMS	EN61000-4-2,3,4,5,6,8,11;ENV50204,EN61547,EN55024 Industry standard
<b>Others</b>	Dimensions	245*75*38mm (L*W*H)
	Weight	715g



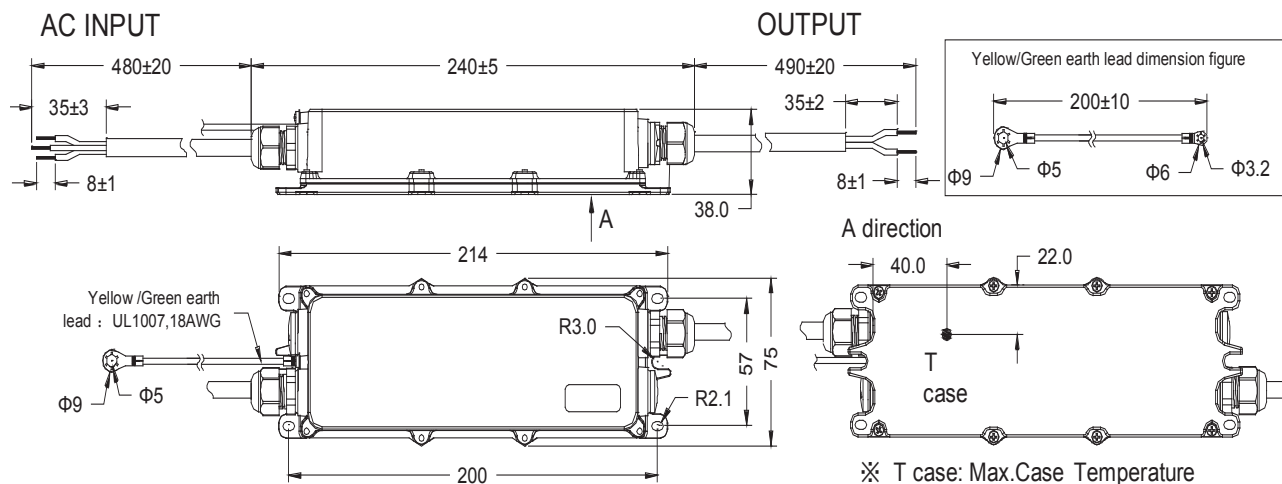
## VDU180AN-024

Output Type	Constant Voltage
Description	180W 24V 7.5A
Input Voltage	100-277Vac
Input Frequency	50/60Hz
RoHS	Yes

## Wiring Diagram



## Enclosure





<b>VDUI80AN-024</b>	
Output Type	Constant Voltage
Description	180W 24V 7.5A
Input Voltage	100-277Vac
Input Frequency	50/60Hz
RoHS	Yes

## Installation & Application Notes

### Section I – Physical Characteristics

- 1.1 LED Driver shall be installed inside an electrical enclosure.
- 1.2 Wiring inside electrical enclosure shall comply with 300V/600V rating .
- 1.3 Input and output use lead-wires. Lead-wires are UL SJTW Cable 18AWG 300V/600V solid copper.

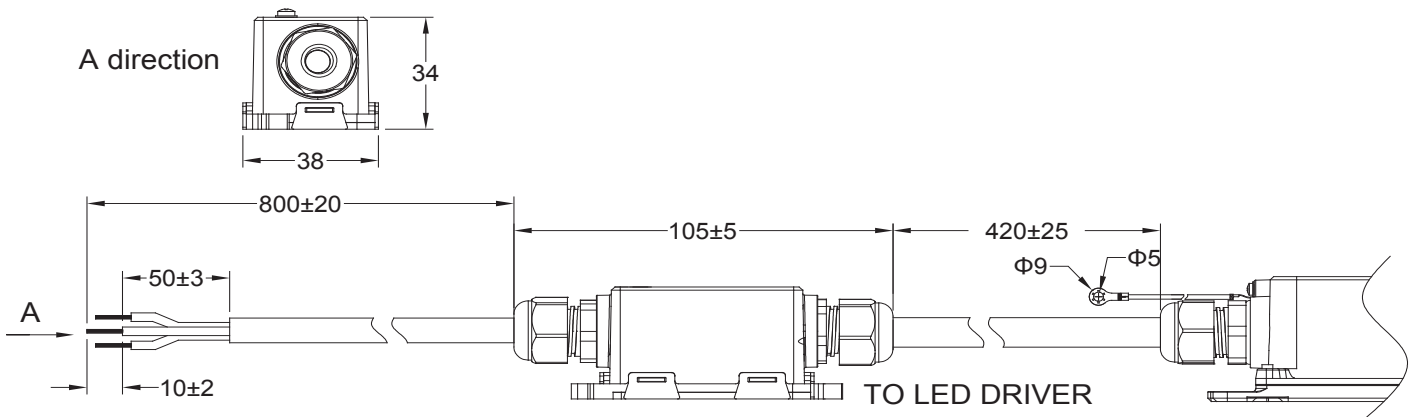
### Section II – Performance

- 2.1 LED Driver has a minimum operating ambient temperature of -40°C.
- 2.2 LED Driver has a life expectancy of 50,000 hours at Tcase of ≤ 75°C.
- 2.3 LED Driver has a life expectancy of 100,000 hours at Tcase of ≤ 65°C.
- 2.4 LED Driver is certified by UL for use in a dry, damp or wet location.
- 2.5 LED Driver tolerates sustained open circuit and short circuit output conditions without damage.
- 2.6 LED Driver maximum allowable case temperature is 90°C .
- 2.7 LED Driver reduces output power to LEDs if maximum allowable case temperature is exceeded.

### Section III –Cautions

- 3.1 LED Driver should be kept away from heat source and flammable and explosive substances.
- 3.2 LED Driver Should be installed in a ventilated and good heat dissipation space.
- 3.2 High Voltage! Do not open the case without experience.
- 3.3 Make sure I/P, O/P wire joints completely watertight, to prevent electric shock & leakage of electricity.

## Optional Accessories (External Surge Protector)



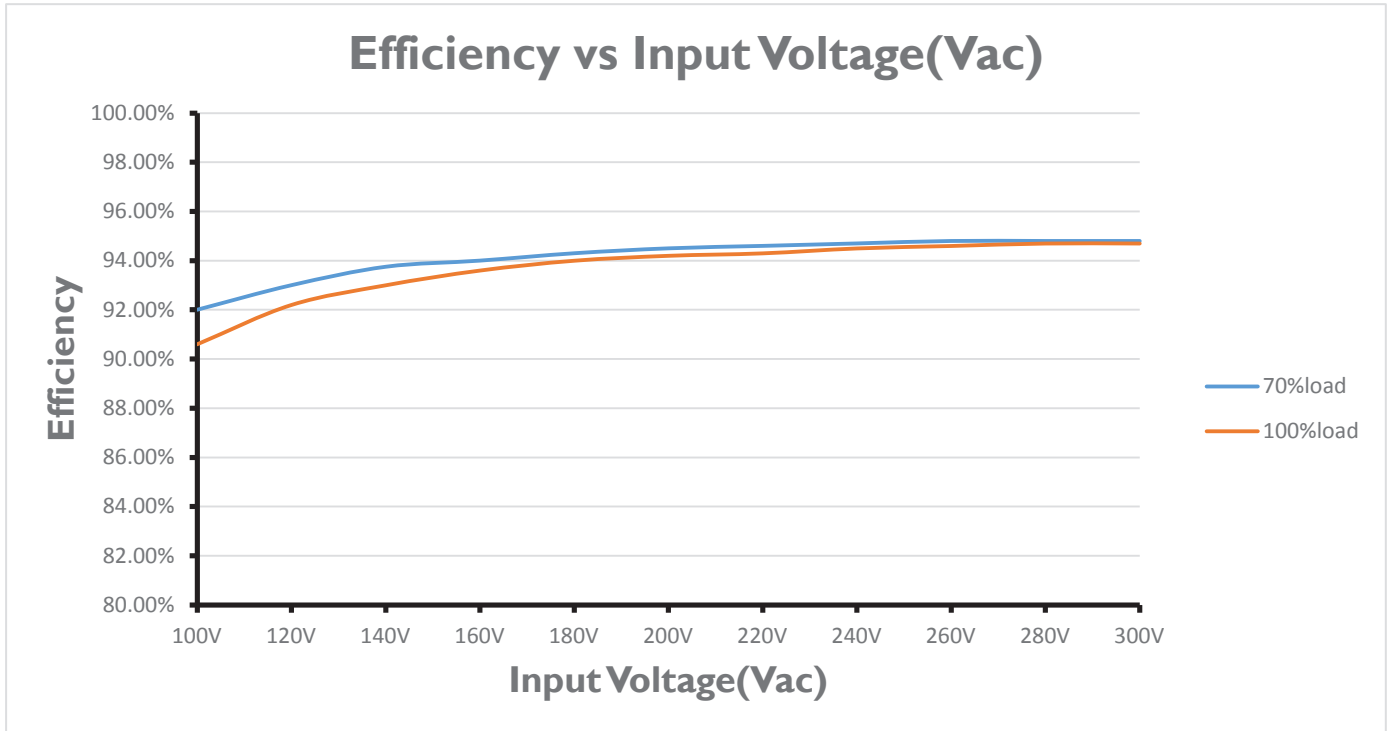
### Notes:

- 1. Part Number: SPDS04-240PC; 2. Suitable for INNOEV's LED Driver only; 3. 277Vac Max, Surge protection rating : Line to line 10KV, line to Earth 10KV;
- 4. Limited to strengthen LED Driver Surge protection 5. Waterproof design, Suitable for outdoor and wet location.

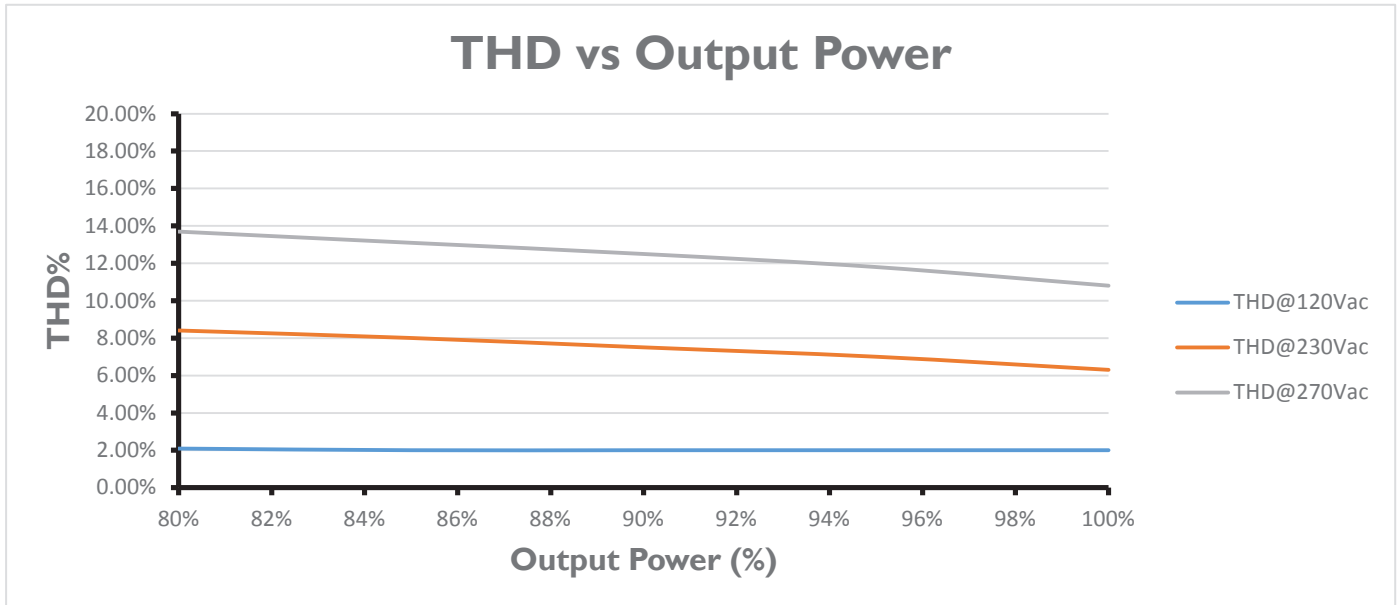


<b>VDU180AN-024</b>	
Output Type	Constant Voltage
Description	180W 24V 7.5A
Input Voltage	100-277Vac
Input Frequency	50/60Hz
RoHS	Yes

## Efficiency



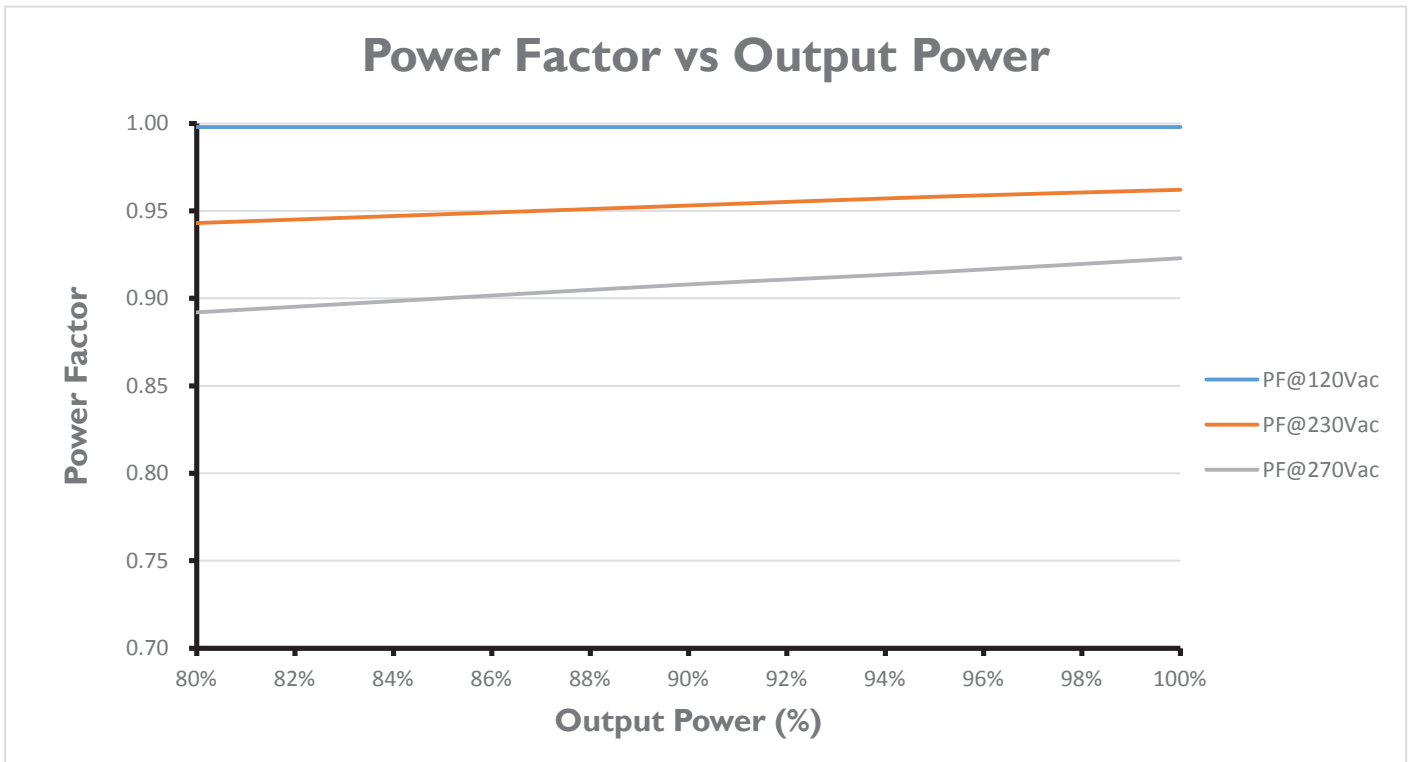
## THD





<b>VDU180AN-024</b>	
Output Type	Constant Voltage
Description	180W 24V 7.5A
Input Voltage	100-277Vac
Input Frequency	50/60Hz
RoHS	Yes

## Power Factor



## Revision History

DATE	REV	Modification	Reasons for change	Notes	
2014/10/16	1.0	Release			
Prepared By	Jinling Yu	Checked By	Tao Ji	Approved By	File Number
Date	2014/10/13	Date	2014/10/16	Date	

Application and operation performance specification information subject to change without notification.