



VDU200AN-024

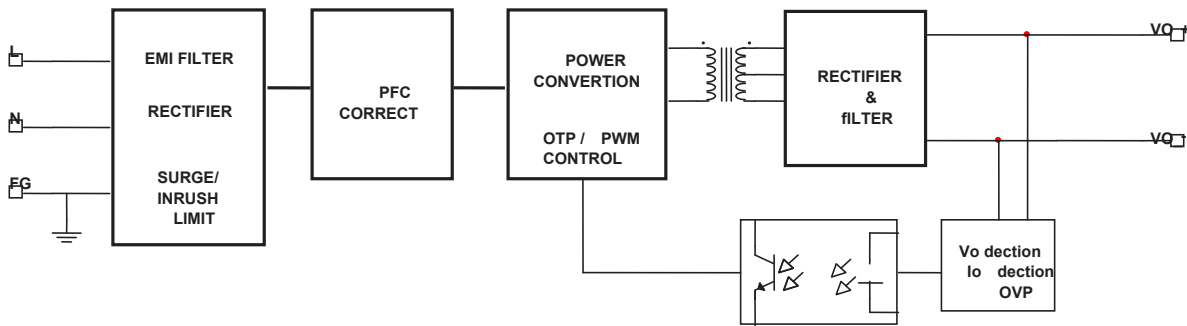
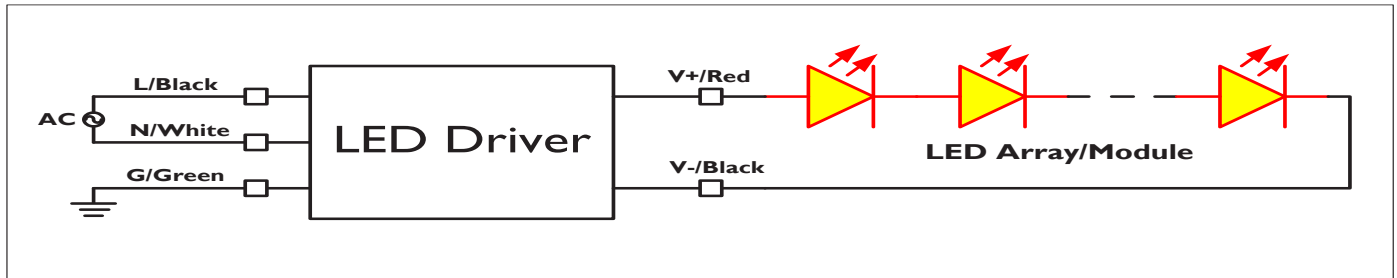
Type	Fixed One Channel
Power	200W Max
Input Voltage	90-305Vac
Output Current	8.3A Max
Output Voltage	24Vdc

Electrical Specifications

Model:		VDU200AN-024
Output	Max Output Power	200W
	Output Voltage	24Vdc
	Output Current	8.3A Max
	Output Voltage Deviation	±1.5% Max
	Eff.@ 277Vac & 100%load	>93%
Input	AC Current Max	2.5A Max. @100Vac
	Rated Input Voltage Range	100-277Vac, Refer to the Derating Power Curve
	Input Voltage Range	90-305Vac
	Frequency Range	50/60Hz
	Power Factor(PF)	PF> 0.95 (Vin 277Vac)
	Inrush Current Max	60A @230Vac Ta=25°C
	Leakage Current	<0.75mA @ 277Vac
Protection	Short Circuit Protection (SCP)	In the event of a short circuit condition, there will be no damage to the driver.
	Surge Protection	Line to Line: 4KV, Line to Earth: 6KV
	Over Temperature Protection	When the Internal PCB temp reaches 105°C (±5°C), to avoid any damage to the driver, its output will be turned off. After the temperature drops below 95°C, automatic self-recovery mode will be activated.
Environment	Ambient Temperature	Ta :-40~+60°C; Tc (max):≦ 90°C
	Operating Humidity	20~90% RH
	Storage Temperature & Humidity	-40~+80°C, 10~95% RH
	Environment Protection Rating	UL Dry, Damp or Wet Location, IP67
	Vibration	10~500Hz 5G 12Min/Cycle, X,Y,Z axis per 72 minute
Safety & EMC	Safety Standards	IEC/EN61347-1(GB19510-1-2009), IEC/EN61347-2-13(GB 19510.14-2009), UL8750, CSA C22.2 NO. 250.13-12
	Withstand Voltage	I/P-O/P:3.75KVac, I/P-FG:1.5KVac,O/P-FG:0.5KVac
	Insulation Resistance	I/P-O/P, >100M Ohms/500VDC/25°C/70%RH
	EMI	EN55015, FCC PART 15-CLASSB
	Harmonic Current	EN61000-3-2 Class C
	EMS	EN61000-4-2,3,4,5,6,8,11;ENV50204,EN61547,EN55024 Industry standard
	Dimensions	280*144*44.5mm (L*W*H), 11.1*5.67*1.75in (L*W*H)
Others	Weight	TBD

VDU200AN-024	
Type	Fixed One Channel
Power	200W Max
Input Voltage	90-305Vac
Output Current	8.3A Max
Output Voltage	24Vdc

Wiring Diagram



LED DRIVER CIRCUIT BLOCK DIAGRAM

Derating Power Curve

